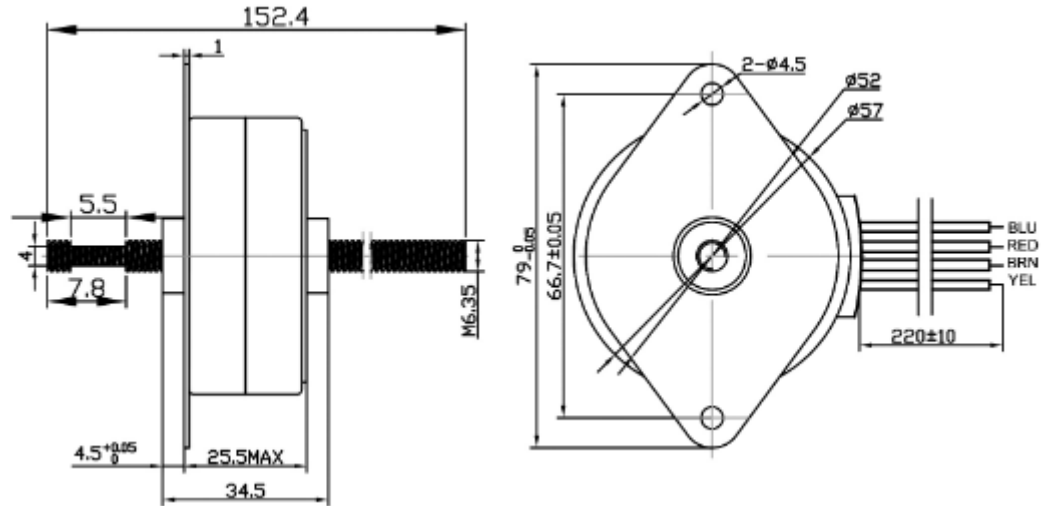
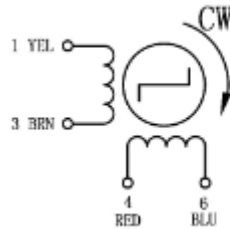


贯通轴式直线步进电机



Dimensions unit=mm



| Pin No. | WIRE COLOR | STEP | | | |
|---------|------------|------|---|---|---|
| | | 1 | 2 | 3 | 4 |
| 1 | YEL | - | - | - | - |
| 2 | BRN | - | - | - | - |
| 3 | RED | - | - | - | - |
| 4 | BLU | - | - | - | - |
| 5 | | | | | |
| 6 | | | | | |

57YCZ-B02

| Electrical Data | | 电气数据 | Condition | 条件 |
|-----------------|----------------------------|----------|----------------|-------------------------|
| 1 | Rated Voltage | 额定电压 | 12VDC | |
| 2 | Resistance per Phase, ±10% | 每相电阻 | 25 Ω | @20°C |
| 3 | Inductance per Phase, ±20% | 每相电感 | 20mH | @1kHz |
| 4 | Rated Current per Phase | 每相额定电流 | 0.45 A | |
| 5 | Linear Travel Step | 直线步进电机步长 | 0.0254 mm/Step | |
| 6 | Max Force | 最大推力 | 180N | @100 pps /Chopper 24VDC |
| 7 | Maximum travel | 最大行程 | 130 mm | |
| 8 | Step Angle | 步距角 | 7.5° | |
| 9 | Steps per Revolution | 每转步数 | 48 | |
| 10 | Ambient Temperature Range | 环境温度范围 | -40 to +125°C | |
| 11 | Maximum Coil Temperature | 最大线圈温度 | 130°C | |
| 12 | Insulation Resistance | 绝缘电阻 | 100 MΩ | |
| 13 | Protection Rate | 防护等级 | IP34 | |
| 14 | Insulation Class | 绝缘等级 | Class E | |
| 15 | Weight | 重量 | 310 g | |
| 16 | Leadwire | 引线规格 | UL1007 26# | |

*以上双极性马达仅为代表性产品，我们可按客户要求提供不同电压，电流的单极性和双极性马达产品。

*马达的螺纹端部结构可提供 4 种螺纹选择: #4-40 UNC-2A THREAD, M3 X 0.5 (METRIC) THREAD, #2-56 UNC-2A THREAD, M2 X 4 (METRIC) THREAD